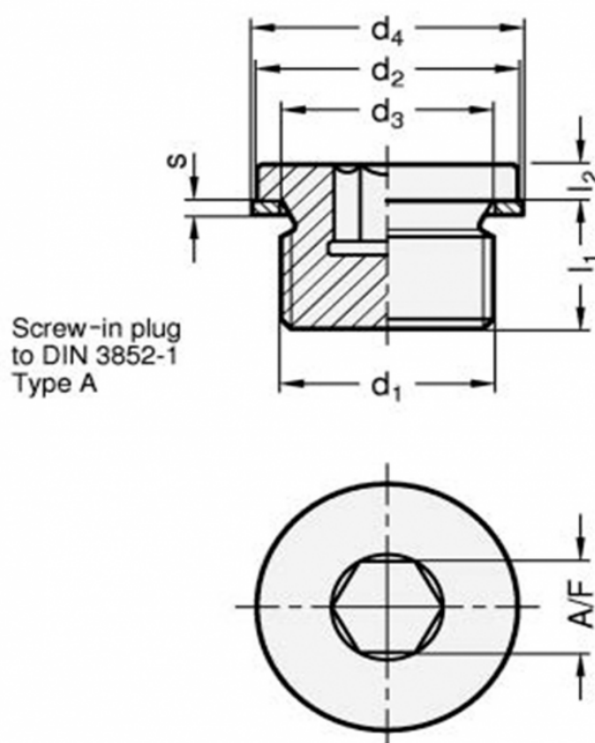


Article number: 20908STM3015AA

Description: E+G Threaded plug DIN 908-ST-M30x15-AA

## Measures



A/F	= 17
d1	= M30x15
d2h14	= 36
d3	= 30.3
d4	= 36
l1	= 16
l2	= 4
s	= 2

Weight in (g) = 80